

# antaira



## **Wireless Serial-Ethernet Server STW-602C Quick Start Guide**

Version 1.1

**antaira**  
[www.antaira.com](http://www.antaira.com)

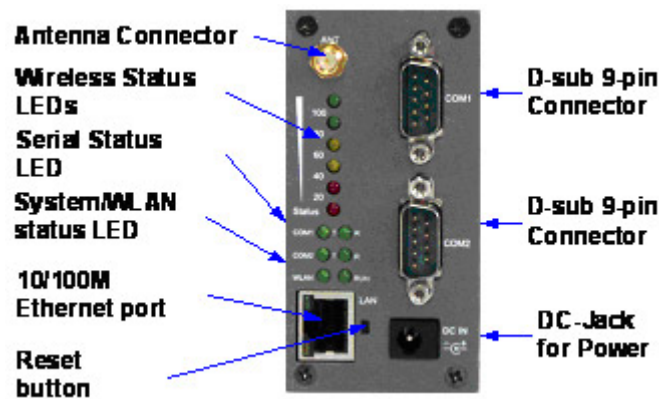
Thank you for purchasing the **STW-602C Wireless Serial Server** product. This document intends to provide customers with brief descriptions about the product and to assist customers to get started. For detail information and operations of the product, please refer to the product user's manual in the product CD.

### 1. Packaging Include

- STW-602C Wireless Serial Server x 1
- 4 dBi Antenna x 1
- Wall Mount Kits x 2
- Quick Start Guide x 1
- Product CD Containing Configuration Utility x 1

### 2. Hardware Setup

Figure 1 shows the names of the STW-602C components. In the figure, the indicated switch settings represent factory settings.



DB Model (D-Sub 9 pin Connectors)

**Figure 1.** STW-602C Interface

**\*Reset Button:** Press Reset button continuously over 3 sec to reload factory default

**LED Indications:** The LEDs indicated for **STW-602C's** status

Name	Color	Status	Description
Signal Strength	Red(2)	ON	Its strength is poor, but the link is connected for the wireless link
	Yellow(2)	ON	Its strength is fair or good, the wireless link can supply a good transfer channel
	Green(2)	ON	Its strength is very good and the link is connected on best status
WLAN	Green	Off	Wireless Link is Broken or No data transmit or receive via wireless connectivity
		Blink	Wireless Traffic be indicted for data transfer
COM	Green	Off	No data transmit or receive via serial port
		Blink	Serial traffic be indicted for data transfer
RUN	Green	OFF/ON	System is not ready or halt
		Blink	System is running and LED is blink per 0.5 sec

### Hardware installing procedure for initialization

- Step 1: Pick the device up from the packaged box, connected Ethernet-link to LAN switch with standard UTP cable.
- Step 2: Attached the power wire to the device for 9~48V DC, and confirm the power polarity carefully.
- Step 3: Wait the device start up after 10~20 Seconds, and See the next section for software installing

### **UL Notice for Power supplier**

*All the series of STW products series are intended to be supplied by a Listed Power Unit marked with "LPS", "Limited Power Source" or "Class 2" and output rate 9~48VDC, 1A minimum. Or, use the recommended power supply in "Optional Accessories."*

## **2. Software Installation**

### **Configure by SerialManager utility**

Use **SerialManager** that comes with product CD to configure the network parameters of the STW-602C. Please refer to **Appendix B SerialManager Configuration Utility in the product user manual** for more details.

- Step 1: Find new device and IP assignment
- Step 2: User SerialManager for new device, get device's current IP from table list
- Step 3: Re-assigned IP, network mask and gateway if need with SerialManager.
- Step 4: Configurative wireless, serial and connectivity mode by web browser or telnet tool.

✳ **Waring: Please avoid setting LAN and WLAN IP address in the same subnet, that may make unexpect networking problem.**

### **Auto IP configuration with DHCP**

A DHCP server automatically assigns the IP address and network settings. The STW-602C supports DHCP. It will supply for the unit with an IP address gateway address, and subnet mask. You may use SerialManager software to search network information automatically by putting a check on **Auto IP** on Dialog window.

### **Configure IP by web interface**

- Step 1: Open web browser, type in the IP address of the STW-602C to be configured. Default user name is **admin** and default password is **null (leave it blank)**.
- Step 2: Configure network settings from web page links then click "**Save Configuration**" to save settings.
- Step 3: Click on "**Restart**" button to make the change effective

### **Configure IP by Telnet utility**

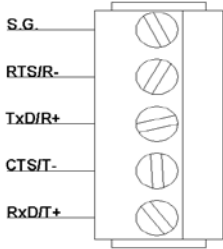
- Step 1: Telnet to the STW-602C using command "**Telnet IP\_address**". Default IP address is **10.0.50.100** and default password is **null (leave it blank)**.
- Step 2: The STW-602C's network, COM ports and wireless settings can be configured individually.
- Step 3: The connection status is shown from "**AP version**" column of SerialManager tool (SerialManager).

## 4. Pin assignments

DB9 male connector pin assignments for Serial

DB9				
	Pin#	RS-232	RS-485	RS-422
	1	DCD		
	2	RXD		T+
	3	TXD	Data+	R+
	4	DTR		
	5	SG (Signal Ground)		
	6	DSR		
	7	RTS	Data-	R-
	8	CTS		T-
	9	RI		

Terminal block pin assignments for Serial and Power

5-pin for serial connections	RS-232	RS-485	RS-422	3-pin for Power input		
	<b>SG</b>	GND	GND	GND	<b>FG</b>	FG
	<b>RTS/R-</b>	RTS	Data-	R-	<b>Vin-</b>	GND
	<b>TxD/R+</b>	TxD	Data+	R+	<b>Vin+</b>	9~48V
	<b>CTS/T-</b>	CTS		T-		
	<b>RxD/T+</b>	RxD		T+		

## Customer Services and Supports

- 1) Contact your local dealers or Antaira Technical Support at the following numbers.
  - 1-877- 229-3665
  - 1-714-671-9000
- 2) Report the errors via website or e-mail  
[www.antaira.com](http://www.antaira.com) / [support@antaira.com](mailto:support@antaira.com)